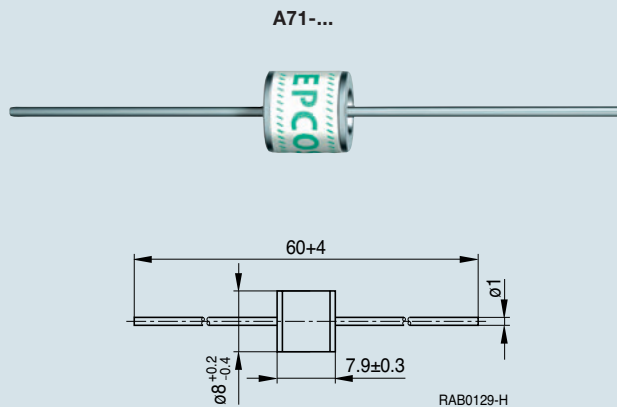


# 2-Electrode Arresters

## 2-Elektroden-Ableiter

Medium-duty / High-voltage types  
10 kA / 10 A • Ø 8 x 8 mm



A7 Series

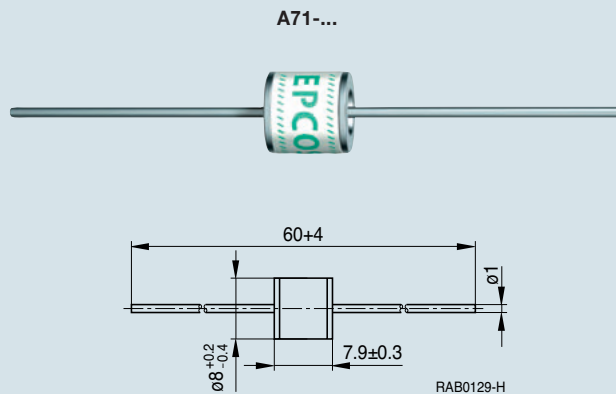
Type Ordering code	A71-H08X B88069X2140S102	A71-H10X B88069X3820S102	A71-H14X B88069X2180S102	A71-H16X B88069X2610S102	
Nom. DC spark-over voltage $V_{sdclN}$	800	1000	1400	1600	V
Tolerance of $V_{sdclN}$	±15	±15	±20	±20	%
Impulse spark-over voltage					
@ 100 V/μs 99% of measured values	< 1100	< 1300	< 2100	< 2300	V
@ 100 V/μs typical values	< 1000	< 1200	< 2000	< 2200	V
@ 1 kV/μs 99% of measured values	< 1200	< 1400	< 2200	< 2400	V
@ 1 kV/μs typical values	< 1100	< 1300	< 2100	< 2300	V
Nom. alternating discharge current @ 50 Hz, 1 s	10	10	10	10	A
Alternating discharge current @ 50 Hz, 9 cycles	65	65	65	65	A
Nom. impulse discharge current 10 operations 8/20 μs	10	10	10	10	kA
Single impulse discharge current 1 operation 8/20 μs	10	10	10	10	kA
Insulation resistance	> 10	> 10	> 10	> 10	GΩ
Capacitance @ 1 MHz	< 1	< 1	< 1	< 1	pF

About packing see page 65.

# 2-Electrode Arresters 2-Elektroden-Ableiter

Medium-duty / High-voltage types  
5 kA / 2.5 A • Ø 8 x 8 mm

A7 Series



Type Ordering code	A71-H25X B88069X2190S102	A71-H35X B88069X2200S102	A71-H45X B88069X2590S102	A71-H55X B88069X2620S102	
Nom. DC spark-over voltage $V_{sdcN}$	2500	3500	4500	5500	V
Tolerance of $V_{sdcN}$	± 20	± 20	± 20	± 15	%
Impulse spark-over voltage					
@ 100 V/μs 99% of measured values	< 3900	< 4900	< 5800	< 6500	V
@ 100 V/μs typical values	< 3800	< 4800	< 5700	< 6000	V
@ 1 kV/μs 99% of measured values	< 4000	< 5000	< 6000	< 7000	V
@ 1 kV/μs typical values	< 3900	< 4900	< 5800	< 6500	V
Nom. alternating discharge current @ 50 Hz, 1 s	2.5	2.5	2.5	2.5	A
Alternating discharge current @ 50 Hz, 9 cycles	2.5	2.5	2.5	2.5	A
Nom. impulse discharge current 10 operations 8/20 μs	5	5	5	5	kA
Single impulse discharge current 1 operation 8/20 μs	5	5	5	5	kA
Insulation resistance	> 10	> 10	> 10	> 10	GΩ
Capacitance @ 1 MHz	< 1	< 1	< 1	< 1	pF

About packing see page 65.