

# SURGiNG

紹 鑫 實 業



# Compound Fuse

## 复合电阻保险丝

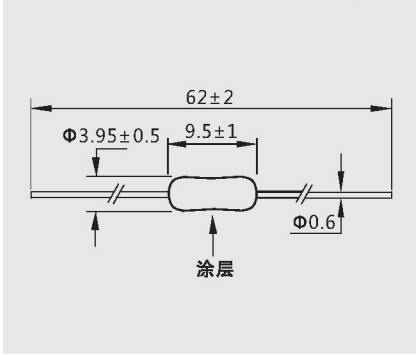
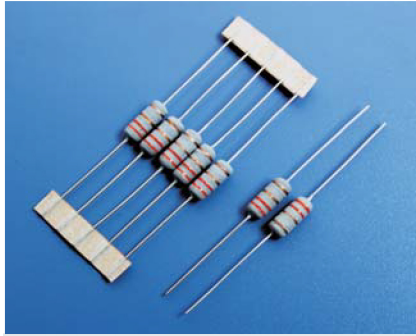
### TRC Series



# TRC $\Phi 3.95 \times 9.5$ RoHS Compliant

## 复合保险丝管

### Compound Fuse

**测试标准:**

**Testing Standard:**  
IEC60691 IEC-61000-4-5

**工作温度:**

**Operating Temperature:**  
-55°C ~ +125°C

**材料:**

**Materials:**  
End cap:sn plated iron  
Ceramic tube:ceramic  
Lead wire:tinned copper wire  
Coat:organic silicon resin

**焊接方法:**

**Soldering Method:**  
Wave soldering: 260°C, 10s max  
Manual soldering: 350°C, 5s max

**包装:**

**Packaging:**  
Automaton taped 1000PCS per inner,10000PCS per carton

目录编号: Catalog No.1:1W 2:2W B:±5% C:±10%

目录编号 Catalog No.	额定电压 Voltage Rating	截止温度 Cut off Temperature	初始电阻值 Initial Resistance	额定功率 Rated Power
TRC0201B	250V	223°C	2.0Ω±5%	1W
TRC0332B	250V	223°C	3.3Ω±5%	2W
TRC0472B	250V	223°C	4.7Ω±5%	2W
TRC0512B	250V	223°C	5.1Ω±5%	2W
TRC0602B	250V	223°C	6.0Ω±5%	2W
TRC1001B	250V	223°C	10Ω±5%	1W
TRC1201B	250V	223°C	12Ω±5%	1W